

The 4th Generation Inverter with an astonishing 12-unit parallel capacity. The all new Hollandia Power Hybrid Inverter available in Pure Sine wave Technology. Includes many high-tech features and is a true market leader in today's Inverter market. Power your home appliances with Hollandia Power Technology.

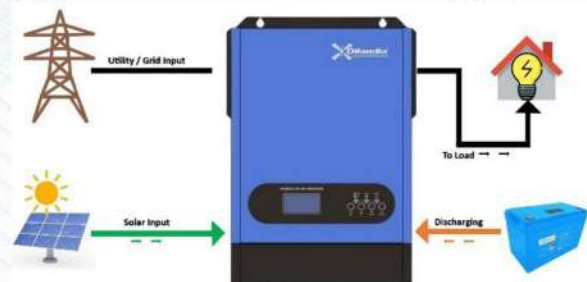


### FEATURES

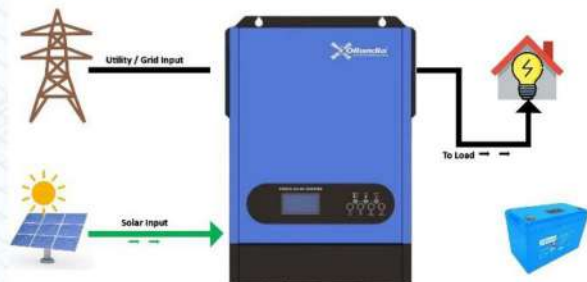
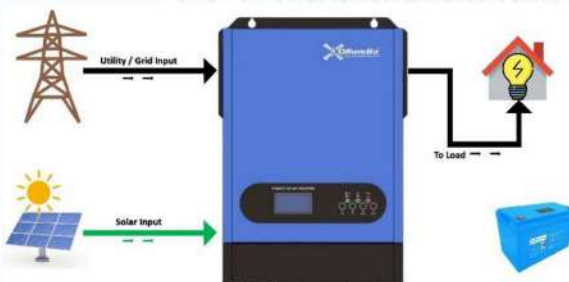
- Detachable dust cover for harsh environment
- Parallel operation up to 12 units (for 6.2kW Model only)
- Built-in 100A/120A MPPT solar charger
- Support LiFePO4 Battery
- Wide PV voltage range 60V~500V
- Pure Sine wave MPPT solar inverter
- WiFi Remote Monitoring Optional
- Output Power Factor 1
- Battery uses Optional.
- Battery equalization function to optimize battery performance and extend lifecycle.

### HYBRID OPERATION

#### With Battery Connected



#### Without Battery Connected

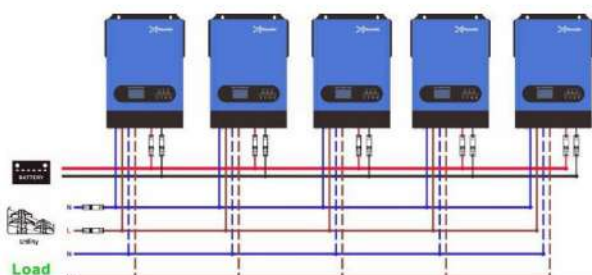


## SPECIFICATIONS

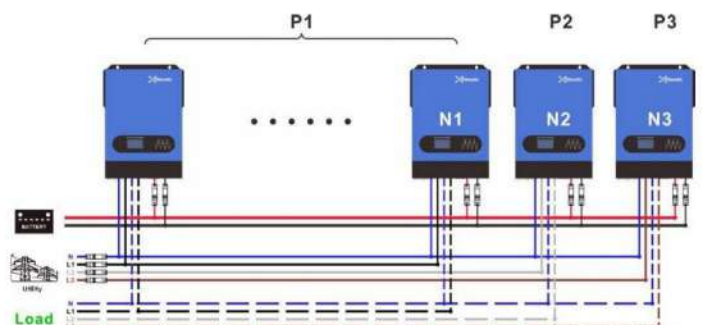
MODEL	HPIC24-3.5K-100	HPIC48-5.5K-100-NP	HPIC48-P6.2K-120
Rated Power	3500VA / 3500W	5500VA / 5500W	6200VA / 6200W
<b>INPUT</b>			
Voltage	230 VAC		
Voltage Range	90 ~ 280 VAC		
Frequency Range	50 / 60 Hz (Sensing Automatically)		
<b>OUTPUT</b>			
Voltage	220/ 230 VAC ± 5%		
Surge Power	7000 VA	11000 VA	12400 VA
Peak Efficiency	94%		
Transfer Time	10 / 20 ms		
Waveform	Pure sine wave		
<b>BATTERY</b>			
Nominal Battery Voltage	24 VDC	48 VDC	
Float Voltage	27 VDC	54 VDC	
Over Charge Protection	33 VDC	63 VDC	
<b>SOLAR CHARGER + AC CHARGER</b>			
Max. PV Array Open Circuit Voltage	500 V		
Max. PV Array Power	4000 Wp	5500 Wp	6500 Wp
MPPT Operating Voltage Range	60 ~ 450 V		
Max. Solar Charging Current	100 A		120 A
Max. Grid Charging Current	60 A		80 A
Max. Charging Current	100 A		120A
<b>PHYSICAL</b>			
Dimensions, H*W*D (mm)	440*295*120	420*295*121	433*300*130
Net Weight (kg)	7	8.2	9.6
Communication	RS485/RS232	RS485/RS232	RS485/RS232
<b>ENVIRONMENT</b>			
Humidity	5% to 95% Relative Humidity (Non-Condensing)		
Operating Temperature Range	-10°C ~ 50°C		
Storage Temperature Range	-15°C ~ 60°C		
Parallel Connection*	NA	NA	Yes, 12 Units*

## 6.2KW PARALLEL CONNECTION\*

- ✓ Single phase output up to 74.4KW using 12 units.



- ✓ Three phase output using either 3 units (18.6KW) or max 12units (74.4KW).



\* Only for 6.2kW Inverter Model HPIC48-P6.2K-120